

INTRINSICALLY SAFE PRESSURE TRANSMITTERS FOR HAZARDOUS APPLICATIONS



SERIES 23 (S) Ei SERIES 25 (S) Ei, 26 Ei

Series 23 (S) Ei, 25 (S) Ei and 26 Ei pressure transmitters are all ATEX approved for use in Hazardous Areas where there is a high risk of explosion.

Series 23 Ei / 26 Ei

The Series 23 Ei / 26 Ei achieve high stability (especially in low pressure ranges) with large piezoresistive capsules and stress-free, floating mountings with O-rings.

Series 23 S Ei / 25 Ei / 25 S Ei

The 23 S Ei / 25 Ei / 25 S Ei offer a complete range of „Ported“ and „Flush Diaphragm“ pressure transmitters for ranges of 1bar and above. Still giving high stability and accuracy but without any internal O-rings. This is achieved using either an all welded 316L stainless steel housing and diaphragm or an all welded 316L housing fitted with a brazed Nickel diaphragm.

– A complete range

Absolute, barometric, gauge (positive and negative).
16 nominal pressure ranges. Current or voltage output.

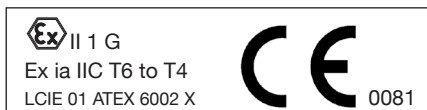
– Flexibility

A modular concept is used, with fast and economical production achieved by using off-the-shelf sensors. Numerous options and variations are available to meet customers' specific requirements: Pressure ranges, mechanical- and electrical interface, process- and plug connection, signal outputs etc.

– Reliability / Quality

Each transmitter is subjected to severe test- and calibration procedures. Transmitters are manufactured and tested according to ISO 9001.

Classification:



Series 23 Ei



Series 25 Ei



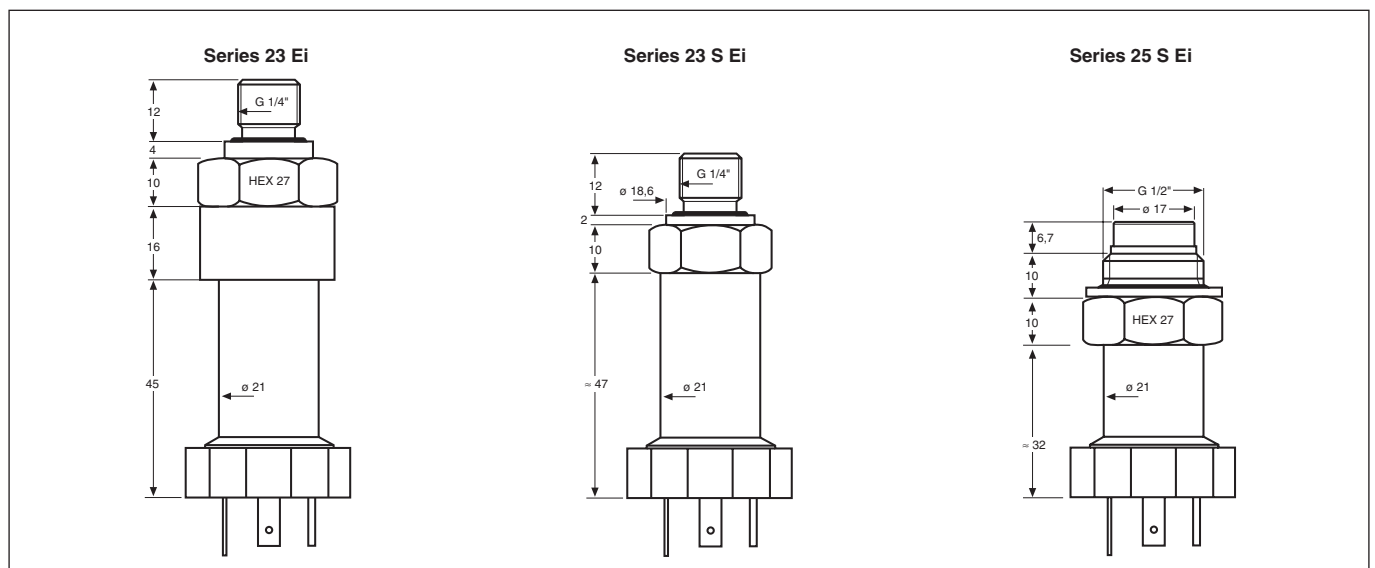
Series 23 S Ei



Series 25 S Ei



Series 26 Ei



Subject to alterations

05/2010

