

## LOW RANGE PRESSURE TRANSMITTER HYGIENIC FLUSH DIAPHRAGM

## SERIES 45 F

This pressure transmitter has been specifically designed for low pressure applications in the food- and beverage industry. The Tri-Clover clamp flange in stainless steel results in a flush, volume-free media connection, thus reducing incrustation by the media. Cleaning and sterilization of the parts in contact with the media is easily accomplished. For highly aggressive media, KELLER offers versions in Hastelloy, Platinum or Titanium. The heart of these transmitters is a KAVLICO capacitive ceramic measuring cell, noted particularly for its outstanding stability characteristics. The measuring cell is isolated from the media by an oil filled barrier and a stainless steel diaphragm. The electronics is based on the KELLER programmable ASIC "PROGRES", which is user accessed in the programmable version, using the KELLER PP-90 Programmer.

### SPECIFICATIONS

Basic measuring ranges (FS) in mbar --> all ranges in between are possible

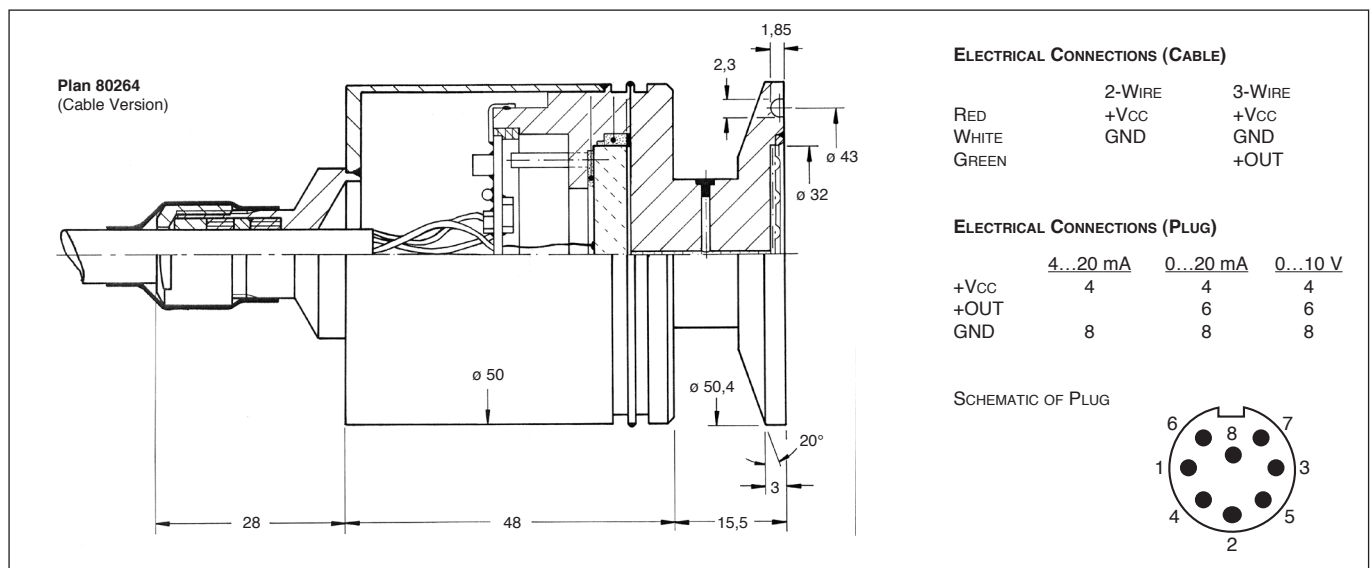
Type PR *	50	100	200	400	1000
Type PAA *			400	1000	3000
Overload	10 x FS for ≤ 200 mbar / 5 x FS for > 200 mbar				

Type	2-Wire	3-Wire	3-Wire
Supply	8...28 VDC	8...28 VDC	13...28 VDC
Output	4...20 mA	0...20 mA	0...10 VDC

Linearity+Hysteresis+Repeatability	< 0,2% FS
Stability over 1 year	0,1% FS typ.
Storage-/ Operating Temperature	-20...100°C
Media Temperature Range	-20...150°C
Compensated Temperature Range (ambient)	0...50°C
Temperature Coefficient of Zero	0,015% FS/K typ.
Temperature Coefficient of Sensitivity	0,01%/K typ.
Pressure Connection	Tri-Clover Flange ø 50 mm
Electrical Connection	Binder-Plug Series 680
Material in Contact with Media	Stainless Steel 316 L
Protection	IP 65 (Connector)
Options	- Class 0,1% - Programmable - Pressure Port DIN 11851 - Cable Connection (IP 68) - Temperature Compensation over other Temperature Ranges



\* (PR: Zero at ambient pressure / PAA: Zero at vacuum)



Subject to alterations

4/99